

LED Wall Pack Light

WP-01-G2



Better solutions for a Led Wall Pack Light

- IP65 water-proof**
- AC100-277V 50/60Hz**
- Easy Installation**
- 120Lm/w**

Options

Power

- MEAN WELL DRIVER(70W/80W/100W)
- ELG series A:Standard
- ELG series B:Dimmable 0-10V
- ELG series DA:Dimmable DALI
- BREE DRIVER(30W/50W/70W/80W/100W)

Color

- 3000K
- 4000K
- 5700K



Application

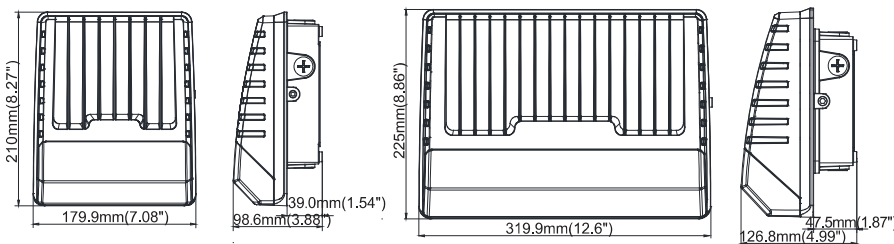
LED Wall Pack Light series can be widely used as Exterior or interior LED lighting for Hotels, Garages, Commercial Buildings, Public areas, Schools and Hospitals, etc.

Specifications

Item	Power	Lumen	Leds	CRI	Weight	Beam Angle
BR-WP30W-01-G2	30W	3600Lm	LUMILEDS 3030	>80	1.45KG	120°
BR-WP50W-01-G2	50W	6000Lm	LUMILEDS 3030	>80	1.45KG	120°
BR-WP70W-01-G2	70W	8400Lm	LUMILEDS 3030	>80	3.70KG	120°
BR-WP80W-01-G2	80W	9600Lm	LUMILEDS 3030	>80	3.70KG	120°
BR-WP100W-01-G2	100W	12000Lm	LUMILEDS 3030	>80	3.70KG	120°

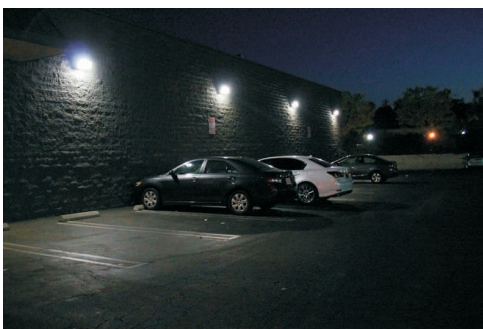
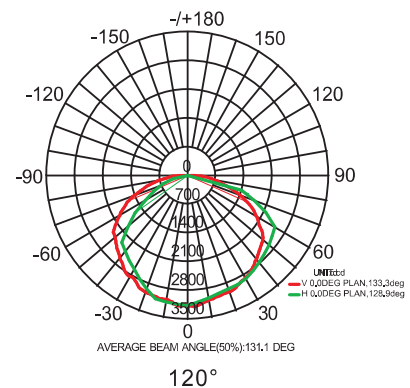
Dimensions(mm)

Photometry



30W/50W

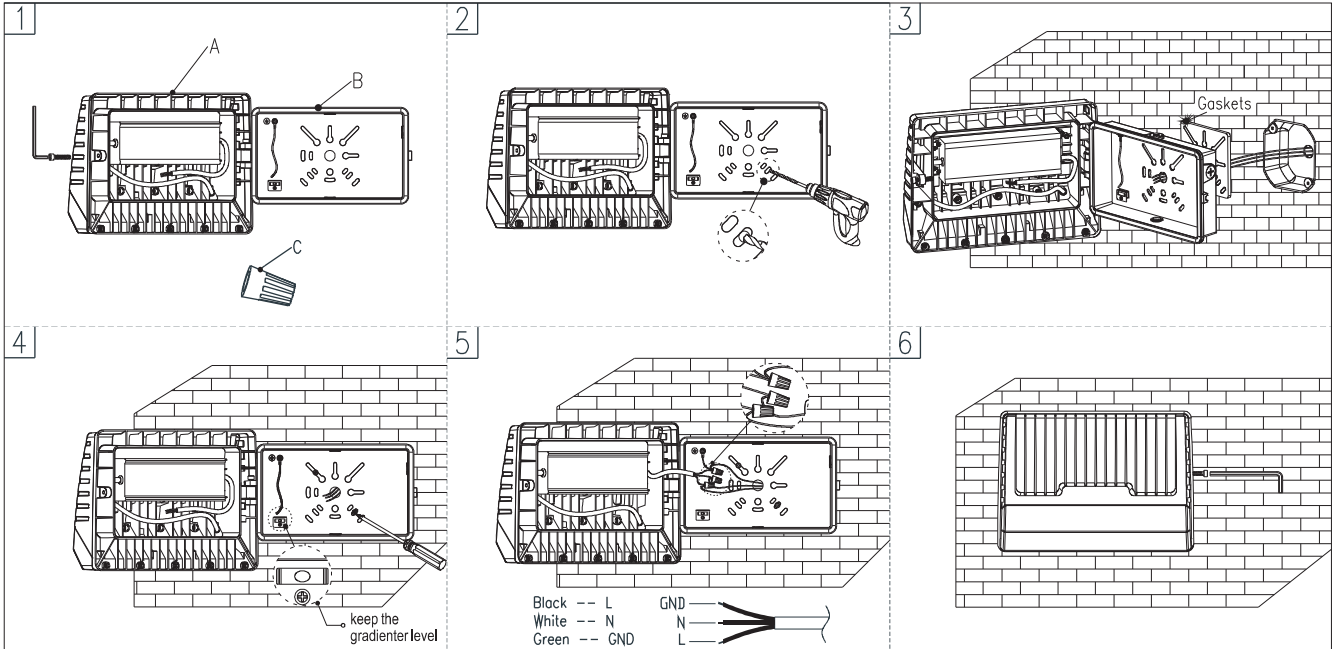
70W/80W/100W



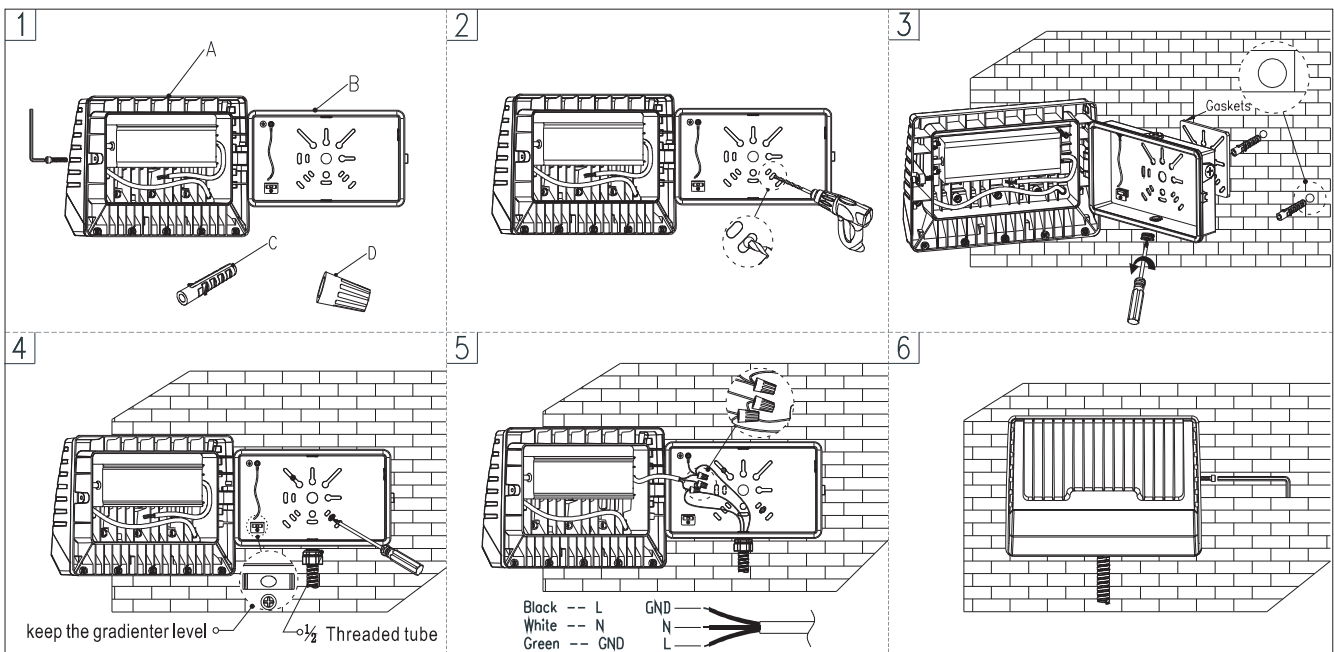
WP-01-G2

Installation and use

P1-Mounting with J-box



P2-Mounting with a 1/2" conduit at the bottom



Packing Spec

Item	Box			Carton		
	Measurement(mm)	Gross weight	Pcs/box	Measurement(mm)	Gross weight	Pcs/box
BR-WP30W/50W-01-G2	L260*W250*H160	1.87kg	1	L520*W280*H515	14.96kg	6
BR-WP70W/80W/100W-01-G2	L370*W275*H175	4.67kg	1	L390*W295*H380	9.36kg	2